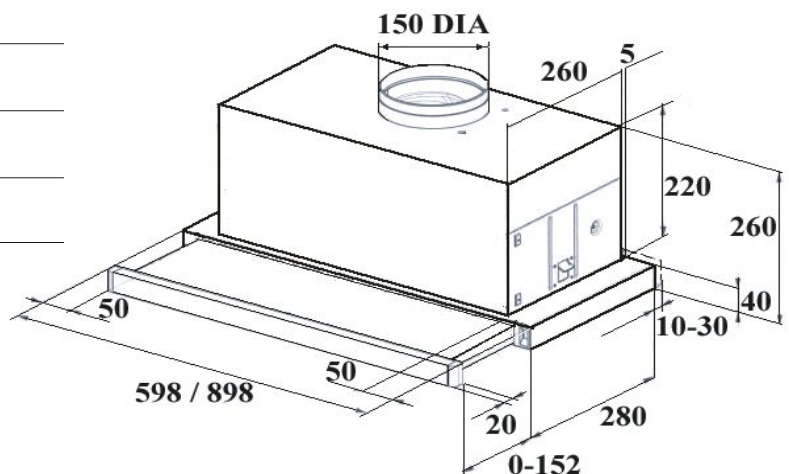
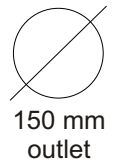


MODEL : SLX3 SS SERIES

SPECIFICATIONS

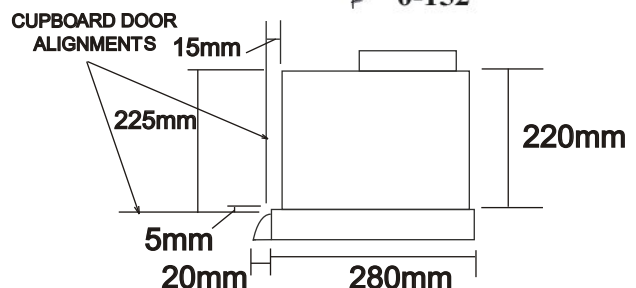
MOTORS	1
SPEED	3
AIRFLOW	970 m ³ /h
MOTOR ABSORPTION	210 Watts
LIGHTS HALOGEN	2 X 20 Watts
NOISE LEVEL	62 (dB)
DUCT SIZE	150 mm Dia

- * Stainless Steel Front Rail
- * Aluminium filters (Dishwasher Safe)
- * Twin Halogen Lights
- * 600 and 900 mm slideout Hood



ACCESSORIES

- Carbon Filters F-C 14 (pack)



LEEMAC APPLIANCES
 U28 / 14 - 16 STANTON ROAD
 SEVEN HILLS NSW 2147
 AUSTRALIA
 PH - 02 9674 9955
 FAX - 02 9674 9055

Email-pezooffice@leemac.com.au Web-www.leemac.com.au