

# Leemac

## MODEL : CH6ESS900

### SPECIFICATIONS

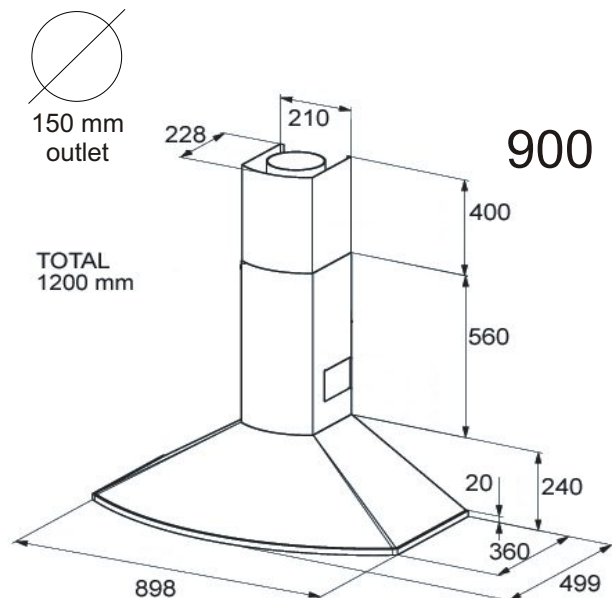
SPEED	4
AIRFLOW	970 m/3h
MOTOR ABSORPTION	210 Watts
LIGHTS HALOGEN	2 X 20 Watts
NOISE LEVEL	62 (dB)
DUCT SIZE	150 mm Dia

- \* Stainless Steel
- \* Aluminium filters
- \* Twin Halogen Lights with Half Dim Function (Comfort)
- \* 24 hour refresh system
- \* Delay switch off function
- \* Drop out Motor System
- \* 900 mm wide

- Easy Dismount**
- High Powered Motor**
- Suitable For Wok Cooking**
- Easy Service**
- Delay**
- Comfort Light**
- 24 Hr Refresh**

### ACCESSORIES

- Carbon Filters F-C 14 (TWIN PACK)
- EXT Flue for 10' ceilings
- Baffle Filters



LEEMAC APPLIANCES  
 U28 / 14 - 16 STANTON ROAD  
 SEVEN HILLS NSW 2147  
 AUSTRALIA  
 PH - 02 9674 9955  
 FAX - 02 9674 9055