

Leemac



MODEL : CH6B SERIES

SPECIFICATIONS

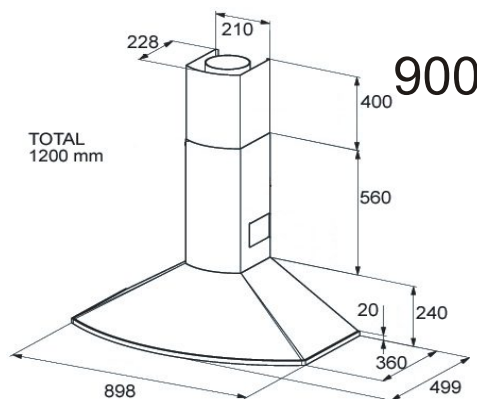
SPEED	3
AIRFLOW	970 m ³ /h
MOTOR ABSORPTION	210 Watts
LIGHTS HALOGEN	2 X 20 Watts
NOISE LEVEL	62 (dB)
DUCT SIZE	150 mm Dia

- * Stainless Steel
- * SS Baffle filters
- * Twin Halogen Lights
- * Drop out Motor System
- * 900 & 600 mm wide



ACCESSORIES

- Carbon Filters F-C 14 (TWIN PACK)
- EXT Flue for 10' ceilings
- Baffle Filters



150 mm outlet

