

Leemac



MODEL : CH3F SERIES

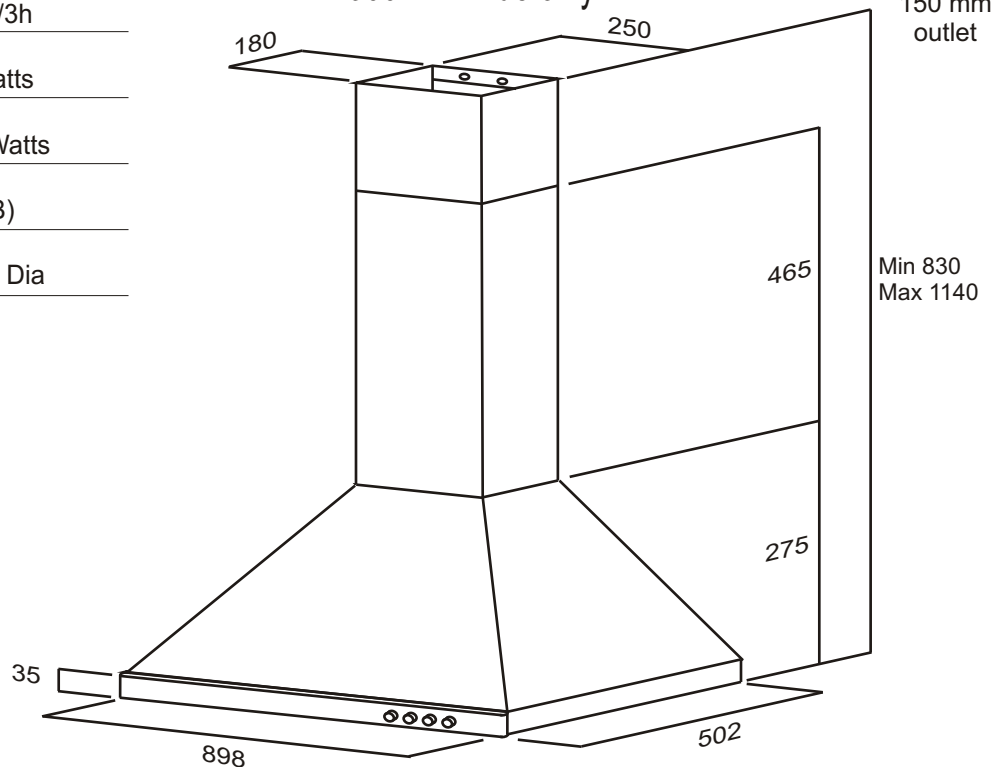
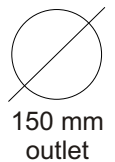
SPECIFICATIONS

SPEED	3
AIRFLOW - NETT	470 m ³ /h
AIRFLOW - GROSS	500 m ³ /h
MOTOR ABSORPTION	150 Watts
LIGHTS HALOGEN	2 X 20 Watts
NOISE LEVEL	59 (dB)
DUCT SIZE	150 mm Dia

ACCESSORIES

- Carbon Filters
- Baffle Filter

- * Stainless Steel
- * Aluminium filters (Dishwasher Safe)
- * Twin Halogen Lights
- * 900 mm wide only



PH - 02 9674 9955
FAX - 02 9674 9055
Email-pezooffice@leemac.com.au Web-www.leemac.com.au

LEEMAC APPLIANCES
U28 / 14 - 16 STANTON ROAD
SEVEN HILLS NSW 2147
AUSTRALIA