

# Leemac



## MODEL : CH8P SERIES

### SPECIFICATIONS

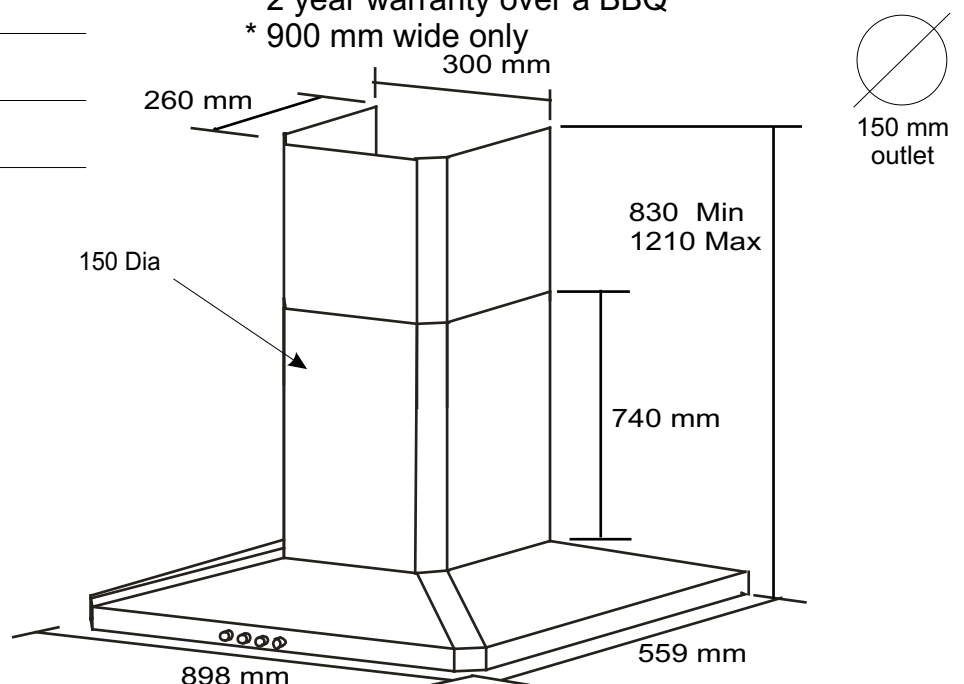
SPEED	3
AIRFLOW	1150 m <sup>3</sup> /h
MOTOR ABSORPTION	210 Watts
LIGHTS LED	2
NOISE LEVEL	52 - 69 (dB)
DUCT SIZE	150 mm Dia

- \* Stainless Steel
- \* Baffle filters (Dishwasher Safe)
- \* Double LED lights
- \* Full metal encased motor
- \* 2 year warranty over a BBQ
- \* 900 mm wide only



### ACCESSORIES

- EXT Flue for 10' ceilings



PH - 02 9674 9955  
FAX - 02 9674 9055  
ABN: 55 388 906 549

Email-pezoffice@leemac.com.au Web-www.leemac.com.au

LEEMAC APPLIANCES  
U28 / 14 - 16 STANTON ROAD  
SEVEN HILLS NSW 2147  
AUSTRALIA